

TECHNICAL DATASHEET

2042/01H Ext 1.5kg ABE Chubb with Hose

Features

The Chubb 1.5kg ABE dry chemical extinguisher features:

- Australian Standard certified to AS1841.5
- Stainless steel handle and trigger
- Mild steel polyester powder coated cylinder
- ABE (mono-ammonium phosphate) dry chemical powder.
- Rated for use on Class A, Class B and Class E fires.
- Transport style pull out pin
- Ready for use pressure indicator
- Forged brass valve
- Light duty zinc plated steel bracket for use in light vehicles including vans, utilities and 4-wheel drives.

Suitable for use on:

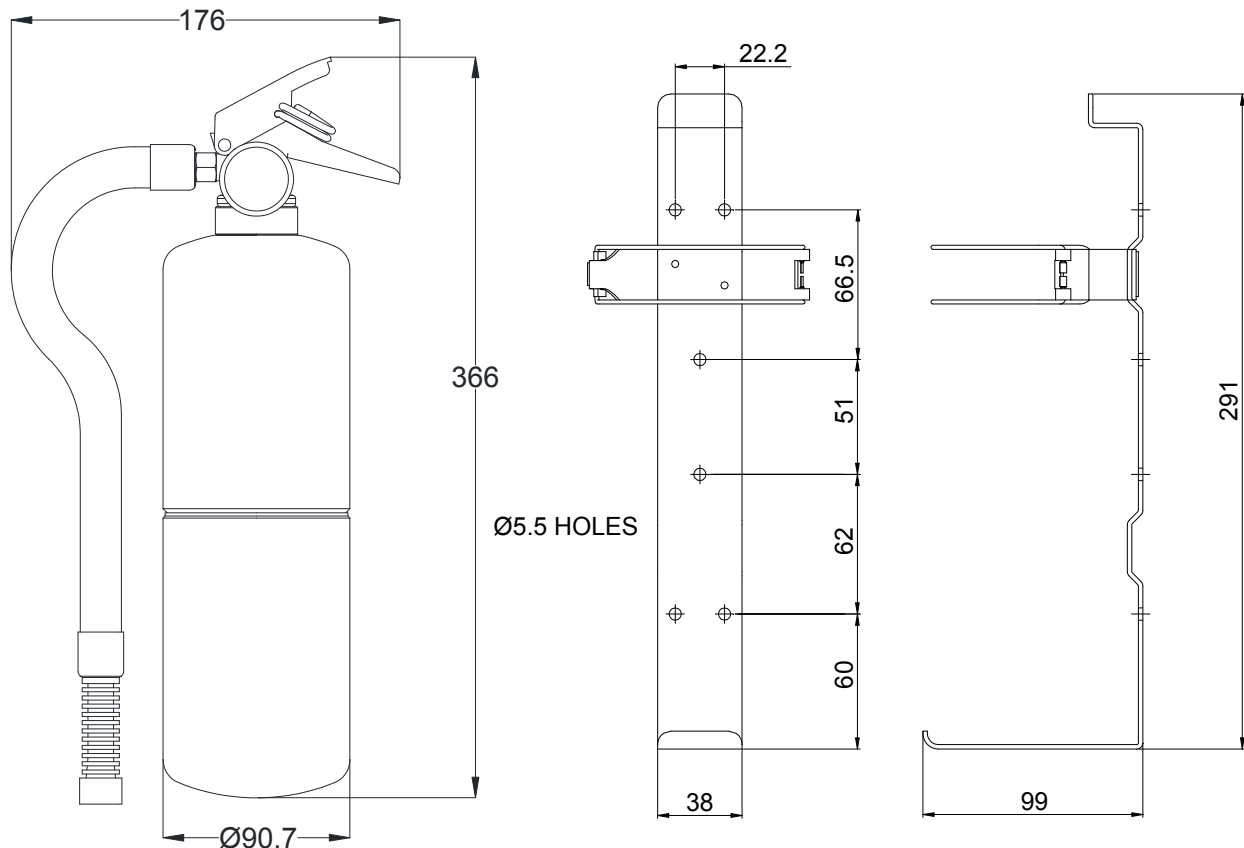
- Electrical switchboards
- Vehicles
- Boats and Caravans
- Garages

Specifications

Model Number:	2042/01H
Type:	DCP (Stored pressure)
Capacity:	1.5kg (Tol: ±3%)
Contents:	ABE40 Powder
Rating:	1A:20B:E
Test Pressure:	2 MPa
Operating Pressure:	1000 kPa
Nominal Mass:	2.8kg
Discharge Time:	10 – 13 s
Nozzle Orifice:	4.0mm
Service Temperature:	-5°C to 65°C

NOTE:

Nominal mass and discharge times listed are approximate. Slight variations may occur.



Service Requirements

Service in accordance with Australian Standard AS1851.

Additional AS1851 Service Requirements:

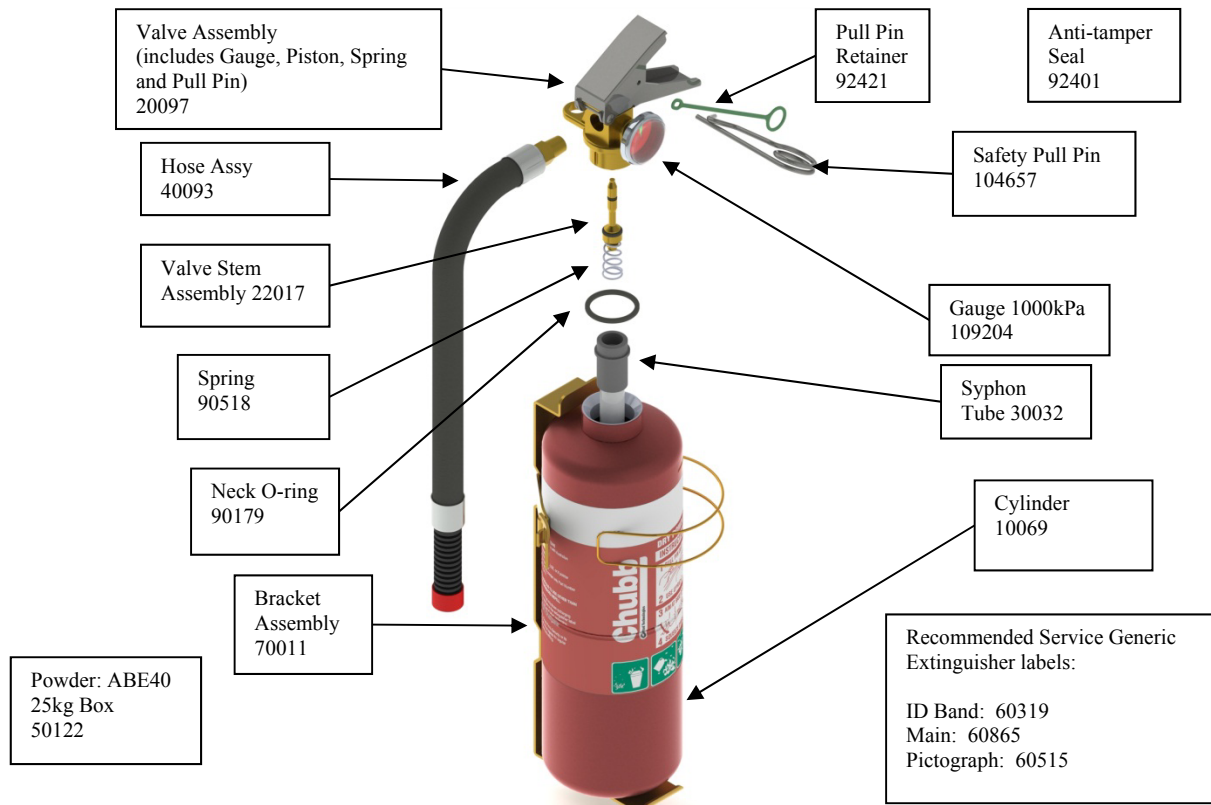
- Replace Dry Chemical Powder every five (5) years
- The recommended location for stamping the cylinder pressure test date is on the neck ring of the cylinder, consisting of figures not less than 3mm in height and shall as a minimum be of the form MM/YY, or MM/YYYY.

Recharge Instructions

CAUTION:- **Ensure extinguisher is fully depressurised prior to removal of the operating head.**

- 1) Expel all remaining pressure in the extinguisher by:
 - a) Discharging contents or
 - b) Unscrew operating head 2 turns only and allow pressure to vent to atmosphere.
- 2) When all pressure is expelled, fully unscrew the operating head and remove from the cylinder.
- 3) Unscrew syphon tube and remove spring and valve stem assembly.
- 4) Thoroughly clean the head and all associated components ensuring that all traces of powder are removed.
- 5) Clean the nozzle and ensure it is unblocked and free from damage.
- 6) Inspect all o-rings and seals, replace as required.
- 7) Lubricate the Neck o-ring and the top of the Valve Stem Assembly with Molykote 55M or Molykote 111.
- 8) Empty out all remaining powder from the cylinder and blow out the cylinder with dry compressed air or nitrogen.
- 9) Inspect cylinder externally and internally for damage and corrosion as per AS1851 requirements. Check cylinder date stamp and pressure test cylinder if 5 years and older. Check and clean the cylinder neck thread.
- 10) Fill the cylinder with the correct powder as specified on the extinguisher label.
- 11) Refit the operating head assembly and hand tighten.
- 12) Recharge the extinguisher with dry Nitrogen to the correct pressure as specified on the extinguisher label. Check that the extinguisher pressure indicator is in the operable range
- 13) Replace safety pin and fit anti-tamper seal. Make sure you do not accidentally discharge the contents.
- 14) Leak test all joints and seals disturbed during the service with a leak detector or submerge in a warm water bath or with the use of a leak detection solution such as "Snoop".
- 15) Ensure all maintenance records and documentation is completed.

Parts List



Note: Not all parts shown may be available stocked items.