

# Balance Valves

## Angus Balanced Pressure Foam Proportioners (BPPs)

- Reliable
- Cost-effective
- Modular construction



For Balanced Pressure Foam Proportioners to perform accurately over a range of flows and pressures, the supply pressure of the foam concentrate entering the proportioner must be balanced with the pressure of water at the inlet. Angus Balance Valves provide a reliable and cost-effective means of achieving this..

Available in three sizes, dependent upon the required foam concentrate flow, they are compatible with the full range of Angus Balanced Pressure Foam Proportioners (BPPs).

A duplex pressure gauge, fitted as standard, gives visual confirmation that the unit is functioning correctly.

In order to select the correct balance valve it is necessary to have full performance details of the concentrate pump. The minimum overpressure the concentrate pump will supply (recommended minimum 1 bar g), at the maximum foam flow, is superimposed on the graph overleaf.

The balance valve curve to the right of the operating point will be the minimum size suitable for the application.

Angus can supply a comprehensive range of fully-compatible foam concentrate pumps.

The modular construction of the Balance Valves and BPPs allow the engineer to select the individual components which are best suited to a particular application. However, Angus can also offer a range of fully-assembled, self-contained skid units comprising BPP, balance valve, foam pump and all necessary ancillary equipment, along with foam concentrate tanks and auxiliary power units - all available in modular form for maximum flexibility. Full details on request.

Also refer to Data Sheet 5042 - Balanced Pressure Foam Proportioners.

### Approvals

Underwriters Laboratories Inc. :

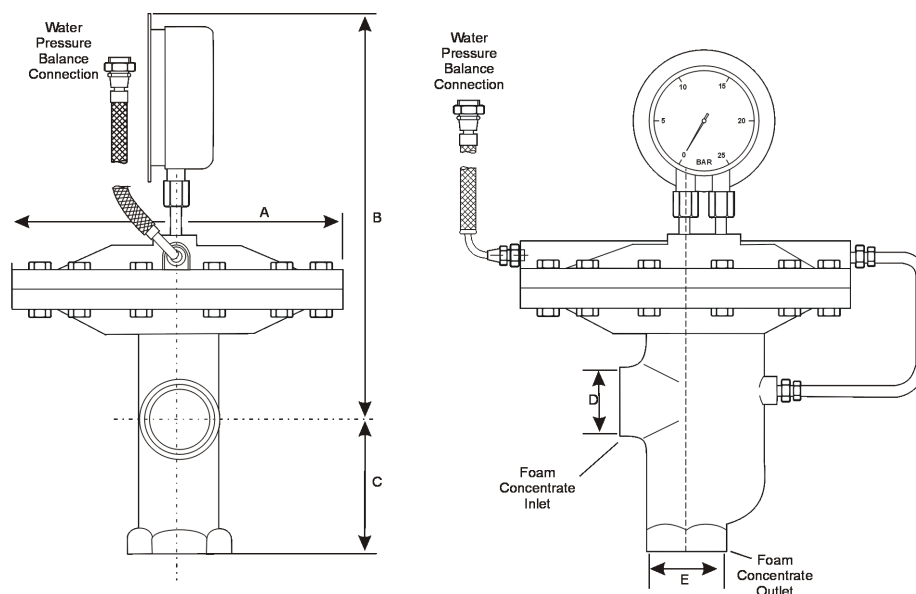
Type A with Model BPP-80

Balanced Pressure Proportioner.

Lloyd's Register of Shipping : Type A, Type B, Type C.

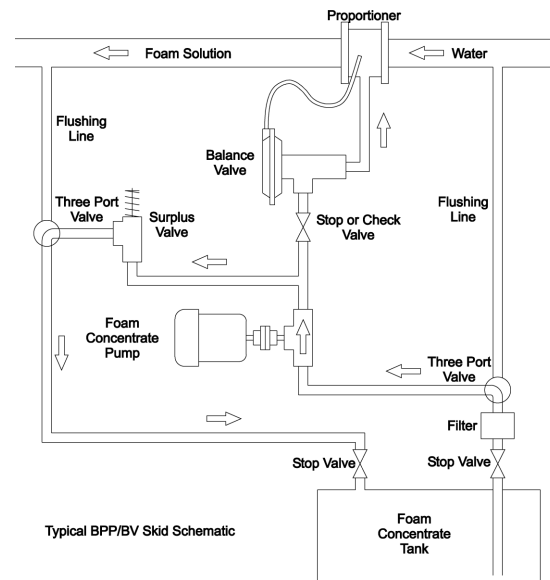
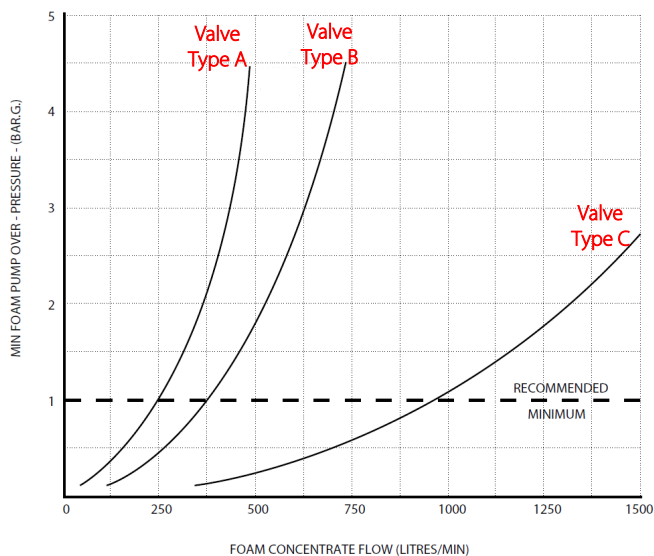
Maritime and Coastguard Agency :

Type A, Type B, Type C.



# Balance Valves

## Angus Balanced Pressure Foam Proportioners (BPPs)



### Valve selection:

Selection of the appropriate valve depends on the operating conditions and is made as follows. Using the graph, locate the operating point of maximum foam concentrate flow rate and minimum overpressure (recommended minimum 1 bar.g). The valves curve to the right of the operating point will be the minimum size suitable for the application.

### Dimensions

	TYPE A	TYPE B	TYPE C
Dimension A (mm)	260 dia.	320 dia.	320 dia.
Dimension B (mm)	300	315	325
Dimension C (mm)	114	130	180
Dimension D (mm)	1½" BSP (F)	2" BSP (F)	3" BSP (F)
Dimension E (mm)	1½" BSP (F)	2" BSP (F)	3" BSP (F)
Water Pressure Balance Pipe Length (mm)		900	
Water Pressure Balance Pipe		½" BSP (M)	
Operating Pressure Range		5 - 18 bar	

### Construction

Materials	Body	Gunmetal LG4	
	Diaphragm	Neoprene rubber/nylon	
	Piston Valve	Stainless steel 316S16	
	Water Pressure Balance Pipe	Stainless steel 316S16/PTFE	
Finish		Natural	
Approx Weight	20.5 kg	38.5 kg	53 kg

### INTERNATIONAL SALES

Angus Fire Ltd  
 Angus House, Haddenham Business Park,  
 Pegasus Way, Haddenham, Aylesbury, HP17 8LB, UK  
 Tel: +44 (0)1844 293600 • Fax: +44 (0)1844 293664

### UK SALES

Angus Fire Ltd  
 Station Road, Bentham, Lancaster, LA2 7NA, UK  
 Tel: +44 (0)1524 264000 • Fax: +44 (0)1524 264180

Angus Fire operates a continuous programme of product development. The right is therefore reserved to modify any specification without prior notice and Angus Fire should be contacted to ensure that the current issues of all technical data sheets are used.