

## K40 & K20 Foam/Water Sprinklers

### Angus Foam/Water, Open, Air Aspirating, Nozzles

- For use as part of an engineered fire protection system
- Compact and robust
- Excellent corrosion resistance
- Pendant mounted



#### Angus Foam/Water, open, air aspirating, nozzles designed for use as part of an engineered fire protection system.

Each sprinkler is designed for mounting in the pendant position and produces a solid cone discharge (as detailed overleaf), with very similar spray patterns for both foam and water. The fire protection system can therefore be designed in accordance with NFPA 11/16, to deliver an initial foam discharge to combat a flammable liquid fire, followed by a period of water discharge to provide additional cooling if required.

The K40 Mk2 is designed to meet 6.5 litres/m<sup>2</sup>/min application rates under NFPA spacing requirements, whilst the K20 Mk2 is designed for applications requiring 4.1 litres/m<sup>2</sup>/min.

These well tried and tested foam/water sprinklers are installed worldwide.

Popular applications include process area protection, road and rail tanker loading bays, warehousing and aircraft hangars. They are particularly well suited for use in high risk situations where mixed risk flammable liquids are stored. When used in conjunction with Angus Alcoseal AR-FFFP multipurpose foam concentrate both K40 Mk2 and K20 Mk2 provide excellent quality of finished foam, sealing off vapours and protecting against reignition.

Both these foam/water sprinklers are compact, robust and consequently less easily damaged than conventional designs. Each sprinkler is entirely constructed from 316 stainless steel, which provides excellent corrosion resistance and makes them particularly well suited to process area and coastal applications.

They are designed to produce finished foam with an expansion ratio in the range 5:1 to 7:1 over a 1 - 7 bar. (15 - 100 psi) operating range.

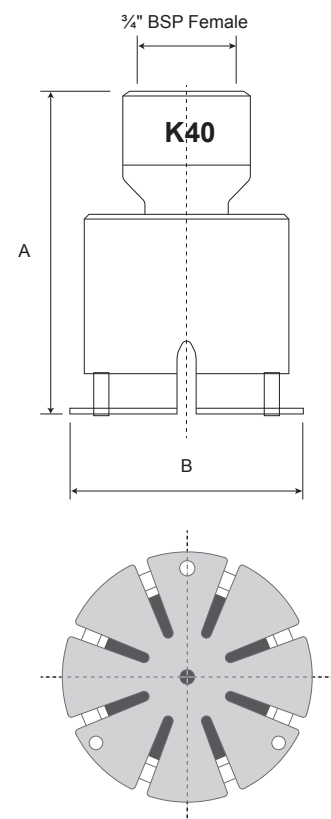
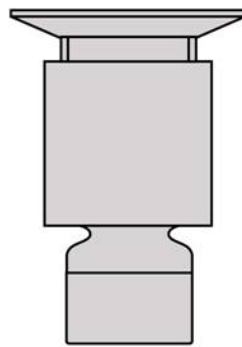
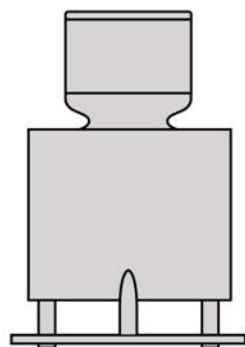
Flow (litres/min) =  $K\sqrt{P}$  where P is inlet pressure (bar)

#### Approvals

K40 Mk2

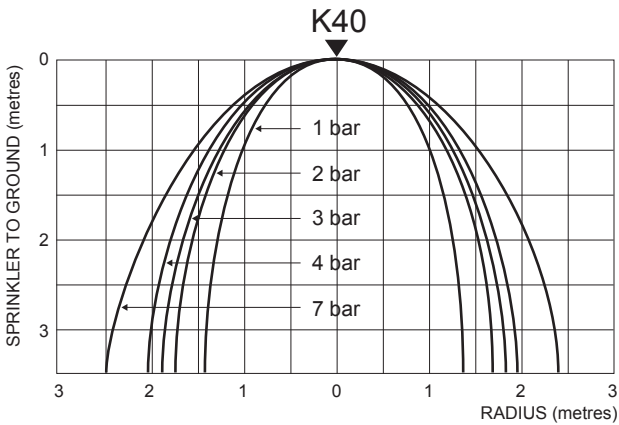
Lloyds register of shipping

Maritime and coastguard agency

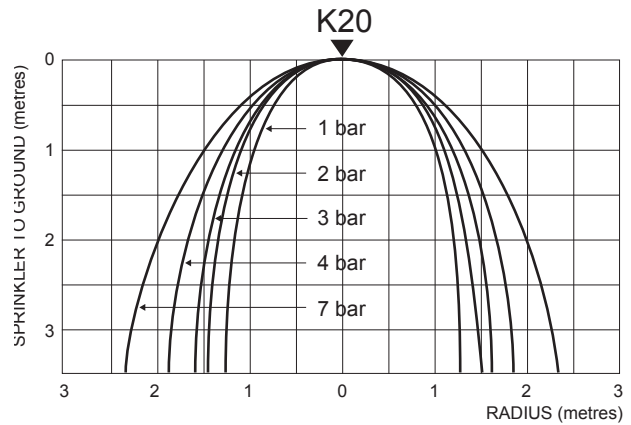


# K40 & K20 Foam/Water Sprinklers

Angus Foam/Water, Open, Air Aspirating, Nozzles



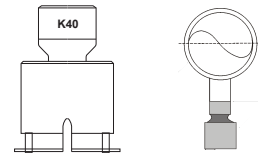
Typical print diameter = 3.9 metres at 4 bar.g. when mounted 2.5 metres above ground



Typical print diameter = 3.5 metres at 4 bar when mounted 2.5 metres above ground

DIMENSIONS (nominal)		
Foam/Water Sprinklers	K40 Mk2	K20 Mk2
A (mm)	87.7	87.7
B (mm)	61 (diameter)	48 (diameter)
Inlet connection	3/4" BSP Female	3/4" BSP Female
Approx. weight	0.41 Kg	0.36 Kg

Angus Fire foam/water stainless steel open spray nozzle mounting orientation of Pendent K40/K20 Nozzles



## INTERNATIONAL SALES

Angus Fire Ltd  
 Angus House, Haddenham Business Park,  
 Pegasus Way, Haddenham, Aylesbury, HP17 8LB, UK  
 Tel: +44 (0)1844 293600 • Fax: +44 (0)1844 293664

## UK SALES

Angus Fire Ltd  
 Station Road, Bentham, Lancaster, LA2 7NA, UK  
 Tel: +44 (0)1524 264000 • Fax: +44 (0)1524 264180

Angus Fire operates a continuous programme of product development. The right is therefore reserved to modify any specification without prior notice and Angus Fire should be contacted to ensure that the current issues of all technical data sheets are used.