

Portable Foam Uniductor

UNI-900 (M)

- Hi-Combat Portable Foam Uniductor
- Venturi-Type Operation

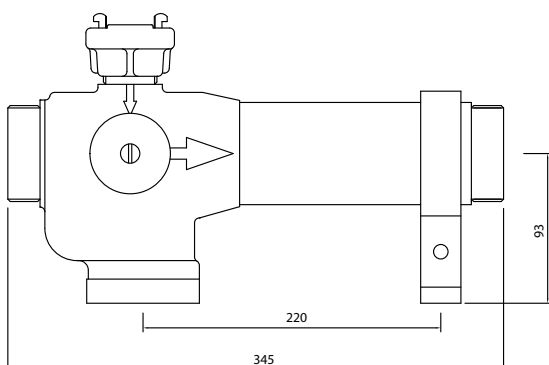


The Angus Hi-Combat Portable Foam Uniductor UNI-900 (M), when matched with Angus Hi-Combat foam branchpipes or nozzles, provides the simplest means possible of getting substantial quantities of foam to the fire where it is needed.

These UNI-900 (M) inductors can be placed near a portable pump or hydrant outlet, minimising manpower requirements and leaving the firefighter to concentrate on effective application of the foam to control the fire situation.

Venturi-Type Operation

This Hi-Combat Portable Foam Inductor is a venturi-type constant flow device, designed for use with the F900H Hi-Combat foam branchpipe or other nozzles with the same flow characteristics for quick and reliable response to first aid fire attack duties. The UNI-900 (M) has a flow rate of 900 litres/min at 10 bar g (145psi), typically experiencing a 30-35% pressure drop across the unit.



The recommended operating pressure range is 5-10 bar g.

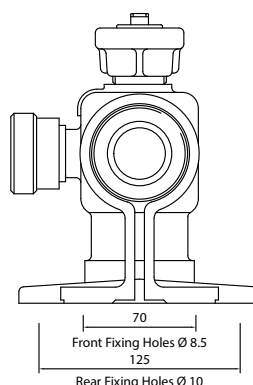
The variable induction control is numbered 1-6 to indicate approximate foam concentrate percentage pick-up for each setting of the control wheel.

Using a Hi-Combat Portable Uniductor™

If the flow rating of the branchpipe is greater than that of the inductor, throw from the branchpipe will be reduced. If the flow rating of the branchpipe is less than that of the inductor, induction may cease.

The standard unit is available in corrosion resistant light alloy, although a gunmetal version is available where salt-water applications are anticipated.

Normally one or two lengths of Duraline fire hose can be used between each portable inductor and Hi-Combat branchpipe but it is recommended that a hose with 64mm (2½") diameter is chosen for the UNI-900 (M) to minimise pressure losses.



Longer lengths can be used if care is taken to keep the hose as straight and level as possible between inductor and branchpipe.

It is recommended that Hi-Combat branchpipes are operated no more than 6 metres vertically above the Hi-Combat Portable Inductor to avoid back pressure problems occurring, and achieve maximum performance at the nozzle.

This also avoids the potential risk of water diluting the foam supply, which can be caused by high back pressures occurring due to poor hose configurations, operating up steep slopes, or mismatching of equipment.

Each portable inductor is fitted with a non-return valve and 1 metre long pick-up tube, to allow use with 25 litre foam drums or temporary reservoirs.

Fixed Installations

For use in fixed installations, the separate range of Angus "FI" IN-LINE INDUCTORS provide a cost-effective, simple and reliable method of proportioning foam concentrate where constant flow conditions prevail. There are six models in the range with performance extending from 65 to 4,000 litres/min at inlet pressures of between 4 and 16 bar g. Within these limits, the induction rate can be accurately set between 1% and 6%. Each inductor is accurately calibrated at the factory to match the specific requirements of the system into which it is to be installed.

Portable Foam Uniductor

UNI-900 (M)

The UNI-900 (M) Uniductor is available in two versions; the standard unit is manufactured in Light Alloy and a marine version manufactured in Gunmetal LG4.

Performance		
	Light Alloy	Gunmetal LG4
Flow	800 L/Min @ 8Bar, 900 L/Min @ 10 Bar	800 L/Min @ 8Bar, 900 L/Min @ 10 Bar
Foam Pick-Up	1% to 6%	1% to 6%
Pressure Range	4-16 bar	4-16 bar
Weight	5.8kg (excludes couplings)	7.3kg (excludes couplings)
Length	345mm (excludes couplings)	345mm (excludes couplings)
Normal Carton Size	170 x 170 x 540mm	170 x 170 x 540mm

Construction		
	Light Alloy	Gunmetal LG4
Body	Aluminium Alloy	Gunmetal LG4
Outlet	Aluminium Alloy Anodised	Gunmetal LG4
Nozzle	316 Stainless Steel	316 Stainless Steel
Bypass	Gunmetal LG4	Gunmetal LG4
Filter	Stainless Steel	Stainless Steel
Venturi	High Strength Nylon	High Strength Nylon
Dial	Anodised Aluminium Alloy	Bronze
Finish	Epoxy Polyester Coated Red RAL 3002	Natural
Inlet/outlet	2" BSP Male (optional fittings are available upon request)	2" BSP Male (optional fittings are available upon request)
Part Number	M861000D - UNI-900(M) Portable foam inductor, 2-inch BSP connections	M861010D - UNI-900(M) Portable foam inductor, 2-inch BSP connections
Part Number	M861100D - UNI-900 (M) Portable foam inductor, 2½-inch British instantaneous connections	M861110D - UNI-900 (M) Portable foam inductor, 2½-inch British instantaneous connections

INTERNATIONAL SALES

Angus Fire Ltd

Angus House, Haddenham Business Park,
Pegasus Way, Haddenham, Aylesbury, HP17 8LB, UK
Tel: +44 (0)1844 293600 • Fax: +44 (0)1844 293664

UK SALES

Angus Fire Ltd

Station Road, Bentham, Lancaster, LA2 7NA, UK
Tel: +44 (0)1524 264000 • Fax: +44 (0)1524 264180

Angus Fire operates a continuous programme of product development. The right is therefore reserved to modify any specification without prior notice and Angus Fire should be contacted to ensure that the current issues of all technical data sheets are used.

© Angus Fire
3171/5 08.15